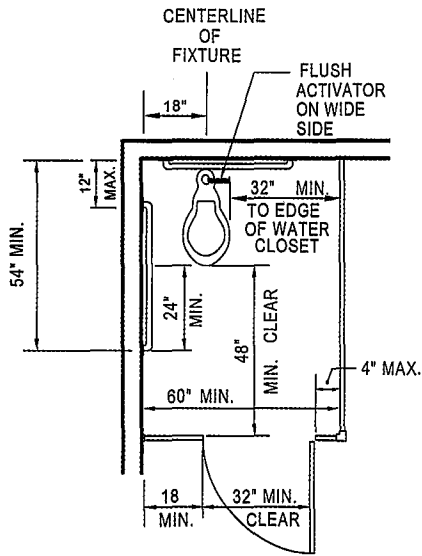
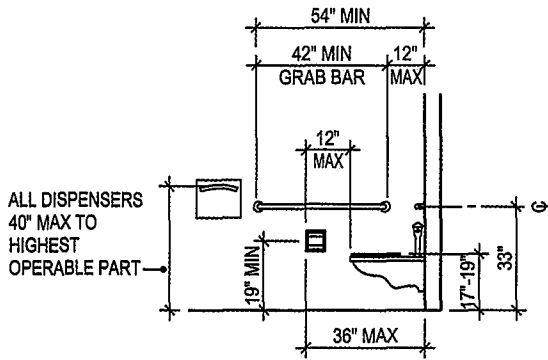


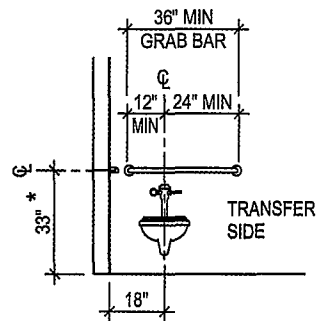
SINGLE-ACCOMMODATION TOILET FACILITY



ACCESSIBLE WATER CLOSET COMPARTMENT WITHIN A MULTIPLE-ACCOMMODATION TOILET FACILITY



SIDE WALL ELEVATION

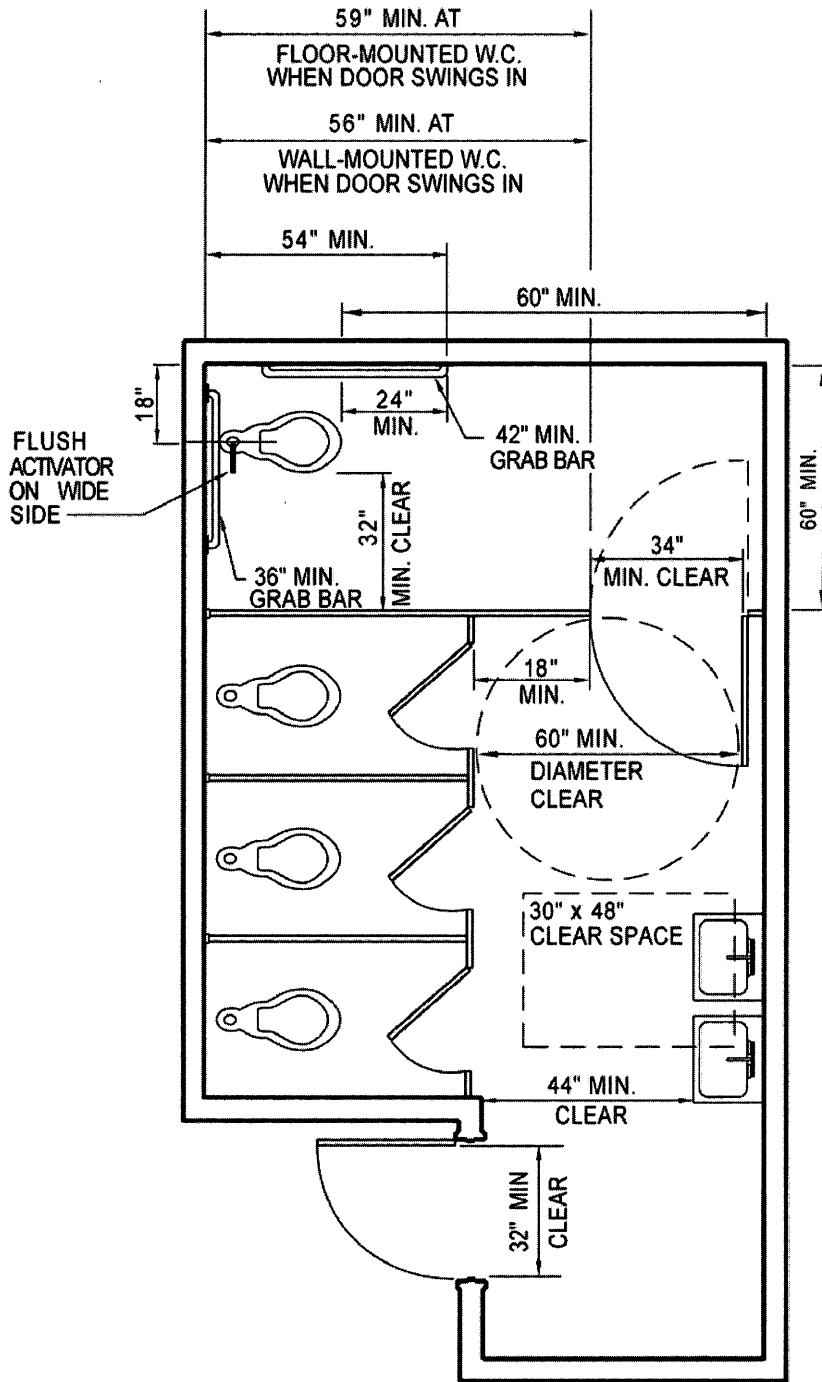


* REAR GRAB BAR ALLOWED AT 36" A.F.F. AT TANK-TYPE TOILET

REAR WALL ELEVATION

THESE DIAGRAMS ILLUSTRATE THE SPECIFIC REQUIREMENTS OF THESE REGULATIONS AND ARE INTENDED ONLY AS AN AID FOR BUILDING DESIGN AND CONSTRUCTION

FIGURE 11B-1A



THIS DIAGRAM ILLUSTRATES THE SPECIFIC REQUIREMENTS OF THESE REGULATIONS AND IS INTENDED ONLY AS AN AID FOR BUILDING DESIGN AND CONSTRUCTION

FIGURE 11B-1B—MULTIPLE-ACCOMMODATION TOILET FACILITY